

ASSEMBLY INSTRUCTIONS

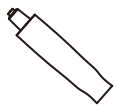


Office Boffins

A-1 PC



B-1 PC



C-5 PCS



D-1 PC



E-2 PCS



F-1 PC



G-1 PC



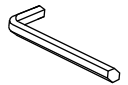
H-2 PCS



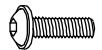
N-2 PCS
M6×20mm



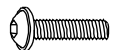
I-1 PC



J-4 PCS
M6×25mm



K-10 PCS
M6×30mm



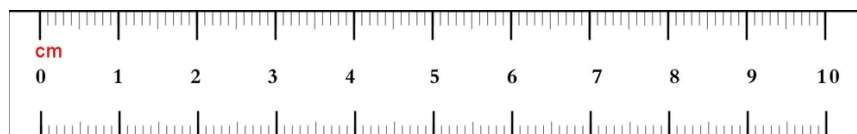
L-14 PCS
φ6×φ16×2mm



M-4 PCS
φ6×φ10×2mm



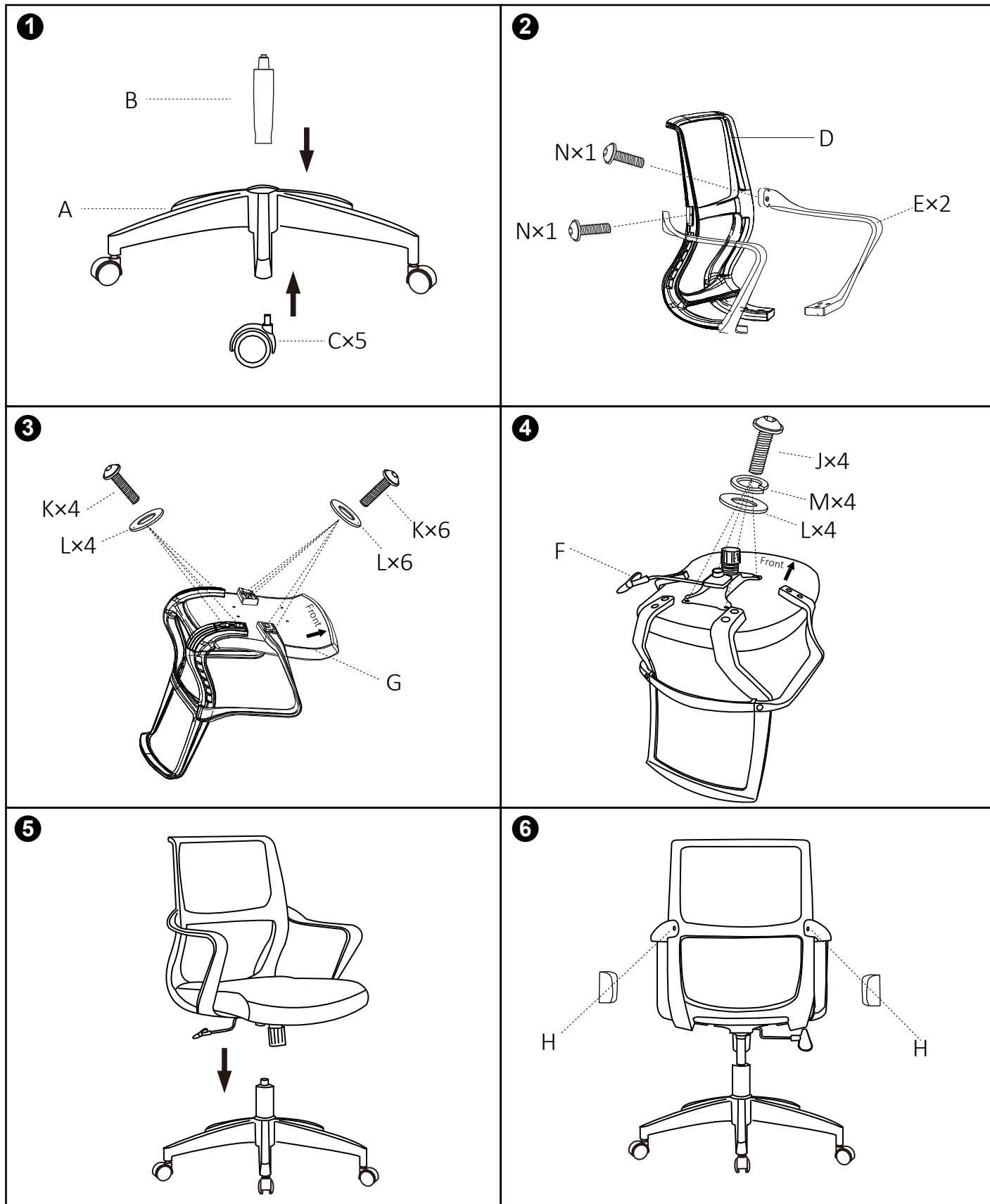
ASTM001 II



Do not tighten bolts fully until you have completed assembly.

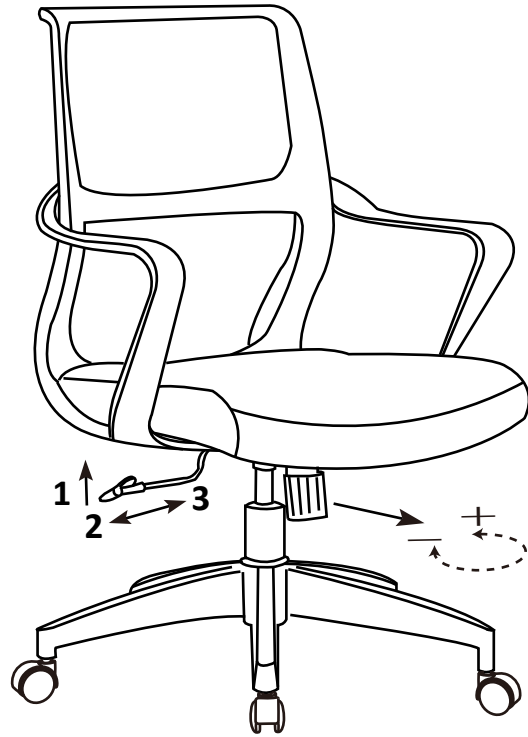
DO NOT USE A POWER DRILL TO TIGHTEN THE SCREWS.

TIGHTEN BY HAND WITH THE ALLEN KEY PROVIDED.

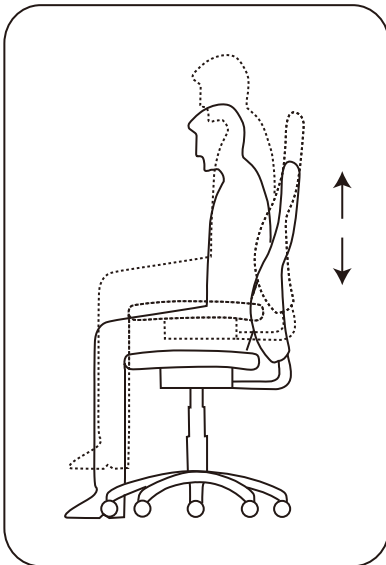


WARNING

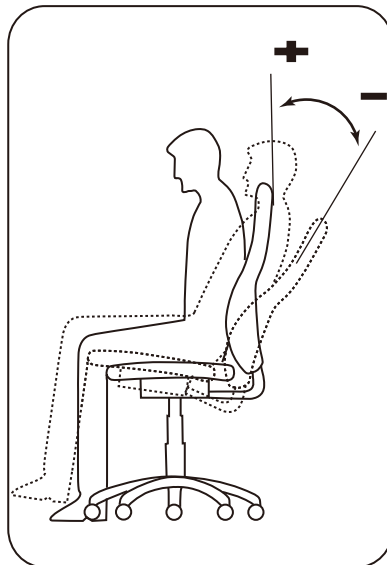
- DO NOT STAND ON THIS CHAIR.
- DO NOT USE THIS CHAIR AS A STEP LADDER.
- USE THIS PRODUCT FOR SEATING ONE PERSON AT A TIME ONLY.
- DO NOT USE THIS CHAIR UNLESS ALL BOLTS, SCREWS AND KNOBS ARE FIRMLY SECURED.
- AT LEAST EVERY 6 MONTHS, CHECK ALL BOLTS, SCREWS AND KNOBS TO BE SURE THEY ARE TIGHT.
- IF PARTS ARE MISSING, BROKEN, DAMAGED OR WORN, STOP USING THIS PRODUCT UNTIL REPAIRS ARE MADE USING FACTORY AUTHORISED PARTS.
- FAILURE TO FOLLOW THESE WARNINGS COULD RESULT IN SERIOUS INJURY.



1



2



3

